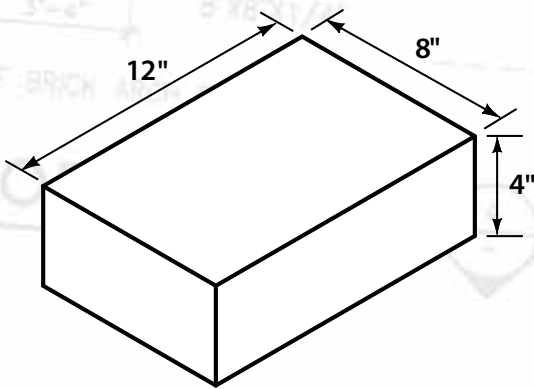


# EuroStone Landscape Blocks



Napa



Olivine

## ***EuroStone Landscape Blocks***

EuroStones are modular concrete landscaping blocks, designed for building common outdoor structures such as seating walls, steps and stairs, garden planters, columns, fire pits, and more. Using modern high-strength concrete adhesives, EuroStones create beautiful and durable landscape feature in a fraction of the time needed for other construction methods, and at a fraction of the cost.

These multicolored blocks are put through McNear's unique aging process, which replicates the chipped edges, broken corners and general wear of ancient stone walls, and which gives them a smooth, but rusticated texture that is gentle to the touch. EuroStones are available in 8 colors that correspond to McNear's Interlocking Paver colors: Carbon, Charcoal/Gray, Charcoal/Tan, Lassen, Napa, Olivine, Tierra, and Yosemite.



## Stock Colors



- Thin Brick
- Face Brick
- Interlocking Pavers
- VERSA-LOK® Retaining Walls



1 McNear Brickyard Rd., San Rafael, CA 94901

Phone: 415-454-6811  
Fax: 415-257-6353  
E-mail: [sales@mcnear.com](mailto:sales@mcnear.com)  
[www.mcnear.com](http://www.mcnear.com)